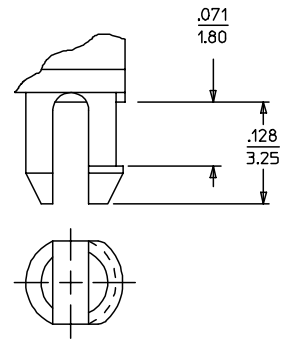
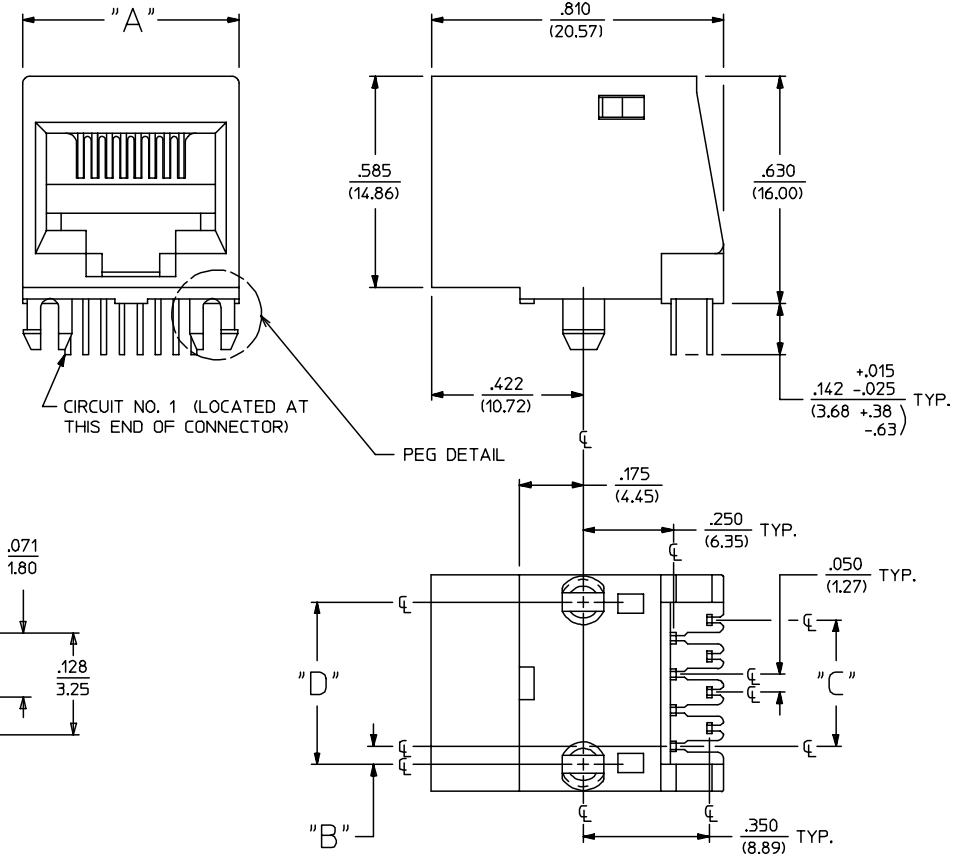


NOTES:

- 1) MATERIALS:
HOUSING: GLASS FILLED POLYESTER, UL94 V-0, COLOR: BLACK
TERMINALS: PHOSPHOR BRONZE
- 2) FINISH:
TERMINALS:
(A) SELECT GOLD IN CONTACT AREA: 50 MICROINCHES (1.27 MICROMETERS) MIN.,
*SELECT TIN IN PC TAIL AREA: 100 MICROINCHES (2.54 MICROMETERS) MIN.,
WITH OVERALL NICKEL UNDERPLATE: 50 MICROINCHES (1.27 MICROMETERS) MIN.
(B) SELECT GOLD IN CONTACT AREA: 30 MICROINCHES (0.76 MICROMETERS) MIN.,
*SELECT TIN IN PC TAIL AREA: 100 MICROINCHES (2.54 MICROMETERS) MIN.,
WITH OVERALL NICKEL UNDERPLATE: 50 MICROINCHES (1.27 MICROMETERS) MIN.
*THE PRIMARY SHIPPING CARTON WILL BE LABELED "COMPLIANT TO ROHS"
DIRECTIVE 2002/95/EC AND ELV ANNEX II OF DIRECTIVE 2000/53/EC,"
CARTONS WITHOUT THIS LABEL MAY CONTAIN PRODUCT WITH TIN-LEAD
IN THE PC TAIL AREA.
- 3) ALL JACKS MUST MEET THE REQUIREMENTS OF MOLEX SPECIFICATION #PS-41314.
- 4) PACKAGING: THERMOFORMED TRAYS PER PK-41369-004.
- 5) JACKS CONFORM TO AND ACCEPT PLUGS WHICH CONFORM TO FCC REGULATIONS, PART 68.5.
- 6) JACKS ARE TO BE USED WITH .062/(1.57) THICK PRINTED CIRCUIT BOARDS.
- 7) SEE SHEET 3 FOR RECOMMENDED PANEL CUT-OUT AND BOARD LAYOUT DIMENSIONS.
- 8) ALL UNTOLERANCED DIMENSIONS ARE SHOWN FOR REFERENCE ONLY.



PEG DETAIL
SCALE: 8:1

SIZE 8 MODULAR JACK HOUSING LOADED WITH 8 TERMINALS IS SHOWN ABOVE




8	2	.600 (15.24)	.200 (5.08)	.050 (1.27)	.450 (11.43)
8	4	.600 (15.24)	.150 (3.81)	.150 (3.81)	.450 (11.43)
8	6	.600 (15.24)	.100 (2.54)	.250 (6.35)	.450 (11.43)
8	8	.600 (15.24)	.050 (1.27)	.350 (8.89)	.450 (11.43)
6	2	.520 (13.21)	.175 (4.45)	.050 (1.27)	.400 (10.16)
6	4	.520 (13.21)	.125 (3.18)	.150 (3.81)	.400 (10.16)
6	6	.520 (13.21)	.075 (1.91)	.250 (6.35)	.400 (10.16)
4	2	.440 (11.18)	.125 (3.18)	.050 (1.27)	.300 (7.62)
4	4	.440 (11.18)	.075 (1.91)	.150 (3.81)	.300 (7.62)
HOUSING SIZE	CIRCUIT SIZE	DIM. "A"	DIM. "B"	DIM. "C"	DIM. "D"

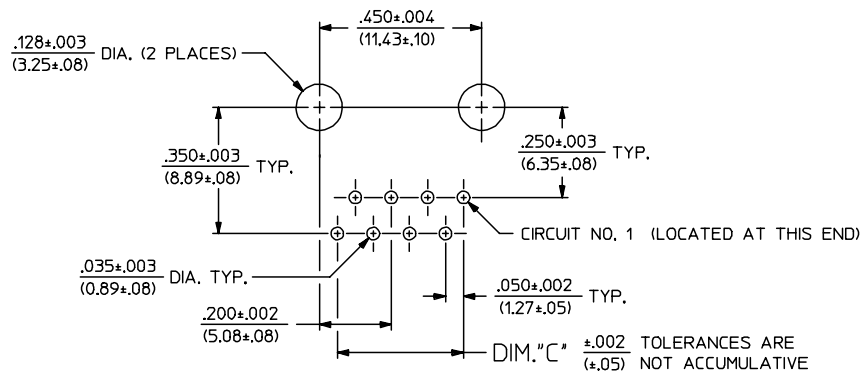
3	R
2	R1
1	R1
SH	REV

2006/06/27 REMOVE FILM/ARMO/PAKER EC NO: UCP2006-2453 DRAWN: PRIDDER 2006/06/14 CHKD: J.BELL APPR: F.SMITH R1	QUALITY SYMBOLS -0 -0	GENERAL TOLERANCES (UNLESS SPECIFIED) mm INCH 4 PLACES ± --- ± --- 3 PLACES ± --- ± --- 2 PLACES ± --- ± --- 1 PLACE ± --- ± --- ANGULAR ±1/2° DRAFT WHERE APPLICABLE MUST REMAIN WITHIN DIMENSIONS	SCALE 4:1 DESIGN UNITS INCH DIMENSION STYLE IN/MM DRAWN BY DATE GLT 1990/05/16 CHECKED BY DATE BAP 1990/05/16 APPROVED BY DATE RAS 1990/05/16	THIRD ANGLE PROJECTION REVISE ON CAD ONLY TITLE RIGHT ANGLE FLANGELESS MODULAR JACK ASSEMBLY MOLEX MOLEX INCORPORATED MATERIAL NO. DOCUMENT NO. SEE SHEET 2 SDA-41687-***** SHEET NO. 1 OF 3
		THIS DRAWING CONTAINS INFORMATION THAT IS PROPRIETARY TO MOLEX INCORPORATED AND SHOULD NOT BE USED WITHOUT WRITTEN PERMISSION		
		SHEET NO. 1 OF 3		
		SHEET NO. 1 OF 3		

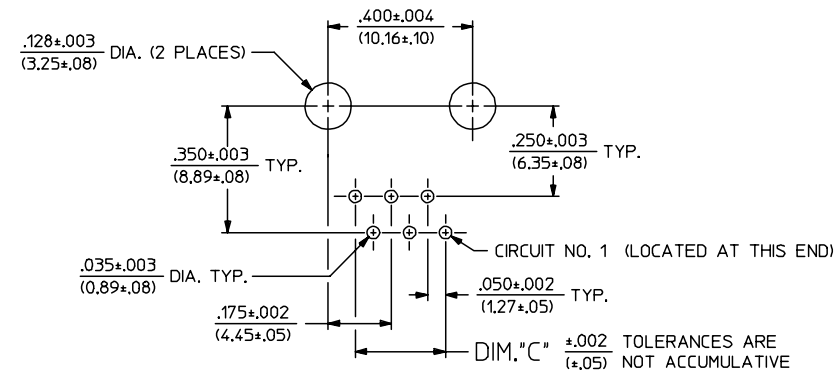
ENGINEERING PART NUMBER	E.D.P. NUMBER	HOUSING SIZE	CIRCUIT SIZE	PLATING OPTION	PACKAGING OPTION
A-41687-44ABAA	015-43-8544	4	4	A	TRAY PACK
A-41687-42ABAA	015-43-8541	4	2	A	TRAY PACK
A-41687-66ABAA	015-43-8566	6	6	A	TRAY PACK
A-41687-64ABAA	015-43-8564	6	4	A	TRAY PACK
A-41687-62ABAA	015-43-8561	6	2	A	TRAY PACK
A-41687-88ABAA	015-43-8588	8	8	A	TRAY PACK
A-41687-88BBAA	015-43-8589	8	8	B	TRAY PACK
A-41687-86ABAA	015-43-8586	8	6	A	TRAY PACK
A-41687-84ABAA	015-43-8584	8	4	A	TRAY PACK
A-41687-82ABAA	015-43-8590	8	2	A	TRAY PACK

SEE SHEET 1 FOR PART DESCRIPTIONS

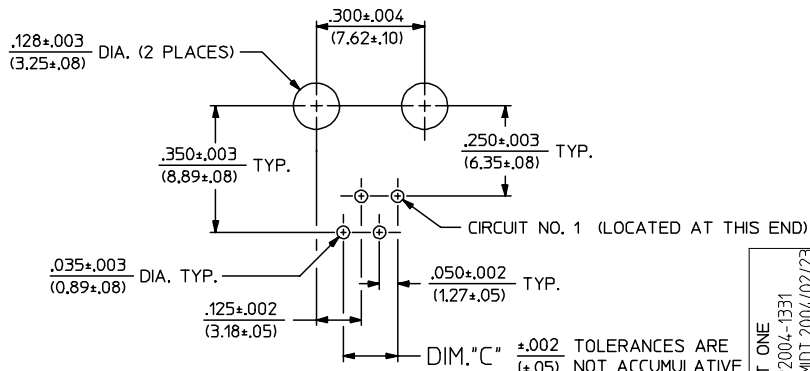
SEE SHEET ONE EC NO: UCP2006-2453 DRWN:PRIDDER 2006/06/14 CHKD:JBELL 2006/06/27 APPR:FSMITH 2006/06/29	QUALITY SYMBOLS	GENERAL TOLERANCES (UNLESS SPECIFIED)	SCALE ---	DESIGN UNITS INCH	THIRD ANGLE PROJECTION	REVISE ON CAD ONLY	
	 -0  -0	mm	INCH	DIMENSION STYLE IN/MM		TITLE	
		4 PLACES ± --- ± ---	3 PLACES ± --- ± ---	DRAWN BY DATE		RIGHT ANGLE FLANGELESS MODULAR JACK ASSEMBLY  MOLEX INCORPORATED	
		2 PLACES ± --- ± ---	1 PLACE ± --- ± ---	GLT 1990/05/16			
ANGULAR ±1/2°	DRAFT WHERE APPLICABLE MUST REMAIN WITHIN DIMENSIONS		CHECKED BY DATE		MATERIAL NO. DOCUMENT NO. SHEET NO.		
			APPROVED BY DATE		SEE CHART SDA-41687-***** 2 OF 3		
			THIS DRAWING CONTAINS INFORMATION THAT IS PROPRIETARY TO MOLEX INCORPORATED AND SHOULD NOT BE USED WITHOUT WRITTEN PERMISSION				



PC BOARD LAYOUT FOR HOUSING SIZE 8



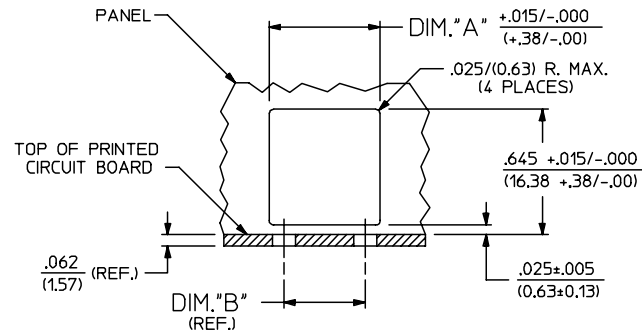
PC BOARD LAYOUT FOR HOUSING SIZE 6



PC BOARD LAYOUT FOR HOUSING SIZE 4

ENGINEERING PART NUMBER	HOUSING SIZE	CIRCUIT SIZE	DIM. "A"	DIM. "B"	DIM. "C"
A-41687-44XXXX	4	4	.455/(11.56)	.300/(7.62)	.150/(3.81)
A-41687-42XXXX	4	2	.455/(11.56)	.300/(7.62)	.050/(1.27)
A-41687-66XXXX	6	6	.535/(13.59)	.400/(10.16)	.250/(6.35)
A-41687-64XXXX	6	4	.535/(13.59)	.400/(10.16)	.150/(3.81)
A-41687-62XXXX	6	2	.535/(13.59)	.400/(10.16)	.050/(1.27)
A-41687-88XXXX	8	8	.615/(15.62)	.450/(11.43)	.350/(8.89)
A-41687-86XXXX	8	6	.615/(15.62)	.450/(11.43)	.250/(6.35)
A-41687-84XXXX	8	4	.615/(15.62)	.450/(11.43)	.150/(3.81)
A-41687-82XXXX	8	2	.615/(15.62)	.450/(11.43)	.050/(1.27)

NOTE: ALL RECOMMENDED BOARD LAYOUTS ARE SHOWN AS COMPONENT SIDE OF BOARD



PANEL CUT-OUT GUIDELINES

DIM. "A" MUST BE SYMMETRICAL TO DIM. "B" WITHIN .005/(0.13)

SEE SHEET ONE EC NO: UCP2004-1331 DRW: LSCHEMIDT 2004/02/23 CHKD: LSCHEMIDT 2004/02/23 APPR: FSMITH - 2004/02/26	QUALITY SYMBOLS	GENERAL TOLERANCES (UNLESS SPECIFIED)	SCALE --- INCH	DESIGN UNITS INCH	THIRD ANGLE PROJECTION	REVISE ON CAD ONLY
	▽ = 0 ▽ = 0	mm INCH 4 PLACES ± --- ± --- 3 PLACES ± --- ± --- 2 PLACES ± --- ± --- 1 PLACE ± --- ± --- ANGULAR ±1/2°	DIMENSION STYLE IN/MM DRAWN BY DATE GLT 1990/05/16 CHECKED BY DATE BAP 1990/05/16 APPROVED BY DATE RAS 1990/05/16	TITLE PANEL/BOARD LAYOUTS FOR RIGHT ANGLE FLANGELESS MODULAR JACK ASSEMBLIES MOLEX MOLEX INCORPORATED MATERIAL NO. DOCUMENT NO. SHEET NO. SEE SHEET 2 SDA-41687-***** 3 OF 3		
DRAFT WHERE APPLICABLE MUST REMAIN WITHIN DIMENSIONS		THIS DRAWING CONTAINS INFORMATION THAT IS PROPRIETARY TO MOLEX INCORPORATED AND SHOULD NOT BE USED WITHOUT WRITTEN PERMISSION				